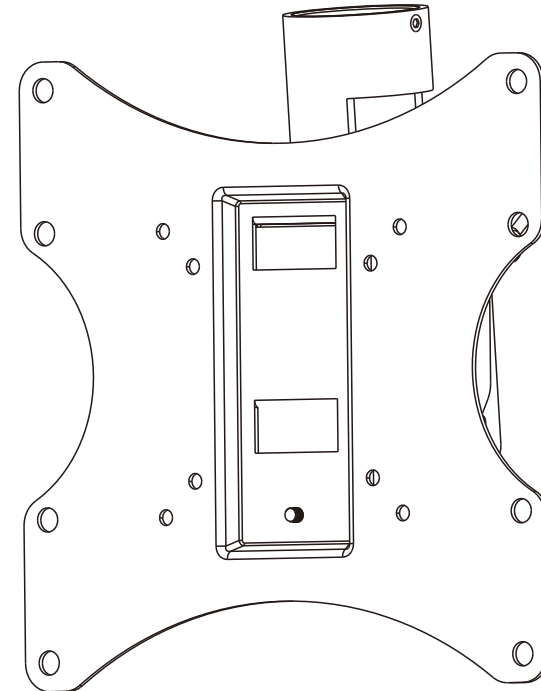


ZUUM®

INSTALLATION MANUAL

Flat Panel Ceiling Mount Accessory



CMH-1



75x75/100x100
200x100/200x200



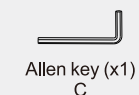
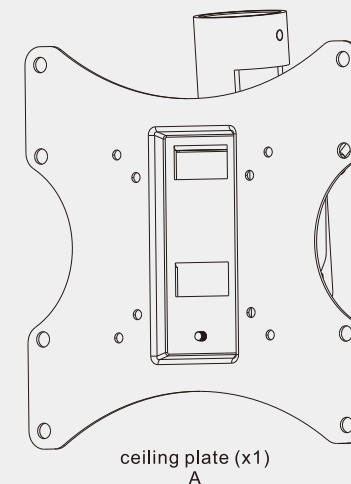
NOTE: Read the entire instruction manual before you start installation and assembly.

WARNING

- Do not begin the installation until you have read and understood **all** the instructions and warnings contained in this installation sheet. If you have any questions regarding any of the instructions or warnings, please contact your local distributor.
- This mounting bracket was designed to be installed and utilised **ONLY** as specified in this manual. Improper installation of this product may cause damage or serious injury.
- Always use an assistant or mechanical lifting equipment to safely lift and position the equipment.
- Tighten screws firmly, but do not over tighten. Over tightening can cause damage to the items, This greatly reduces their holding power.
- This product is intended for indoor use only. Using this product outdoors could lead to product failure and personal injury.

Component Checklist

IMPORTANT: Ensure that you have received all parts according to the component checklist prior to installation. If any parts are missing or faulty, telephone your local distributor for a replacement.



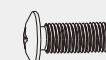
Package M



M4x14 (x4)
M-A



M5x14 (x4)
M-B



M6x14 (x4)
M-C



M8x20 (x4)
M-D



D5 washer (x4)
M-E



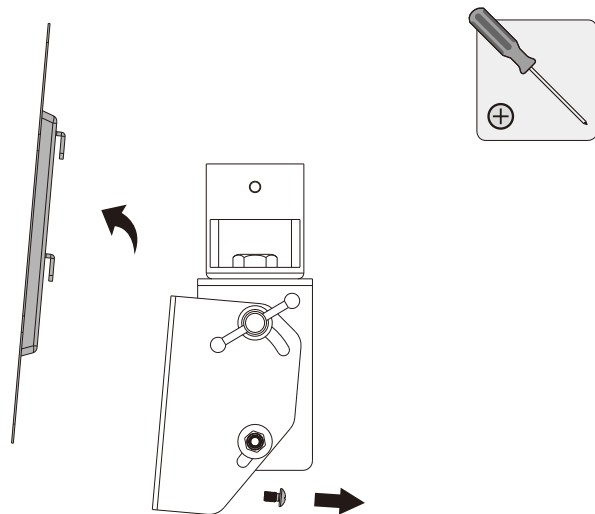
D8 washer (x4)
M-F



small spacer (x8)
M-G

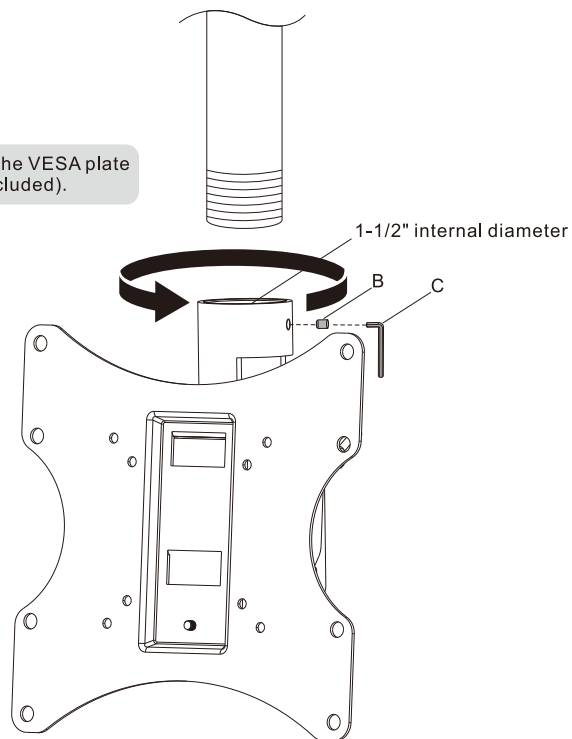
1. Separating the VESA Plate

Use a proper screwdriver to loosen the screw to separate the VESA plate from the ceiling mount accessory.

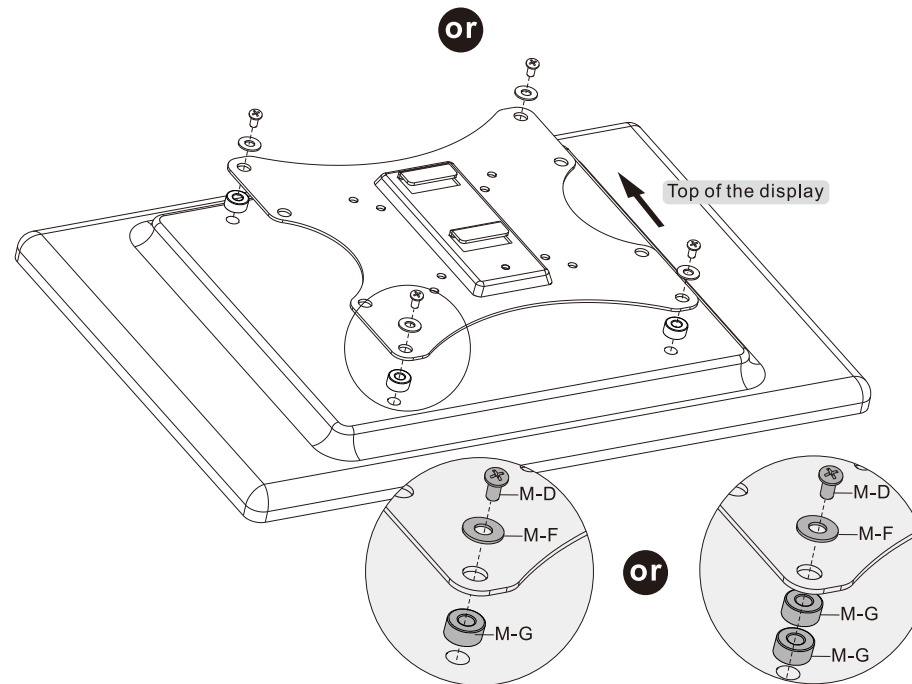
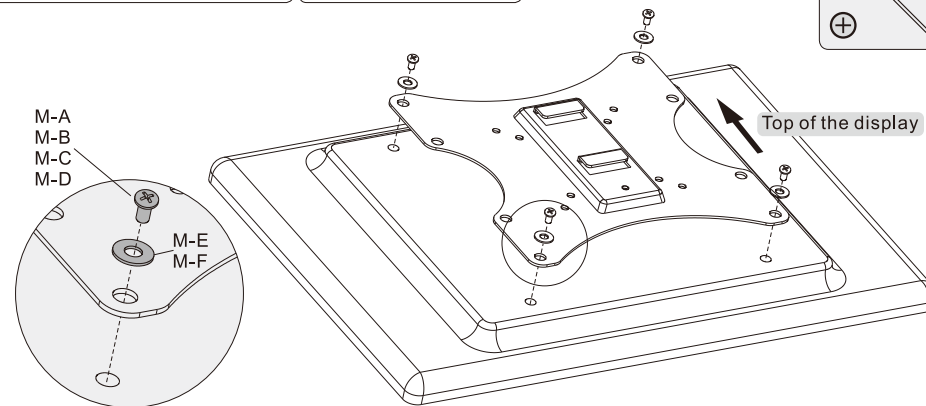
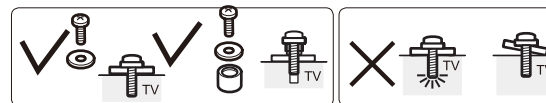


2. Attaching the VESA Plate to the Pipe

Thread and tighten the VESA plate onto the pipe(not included).



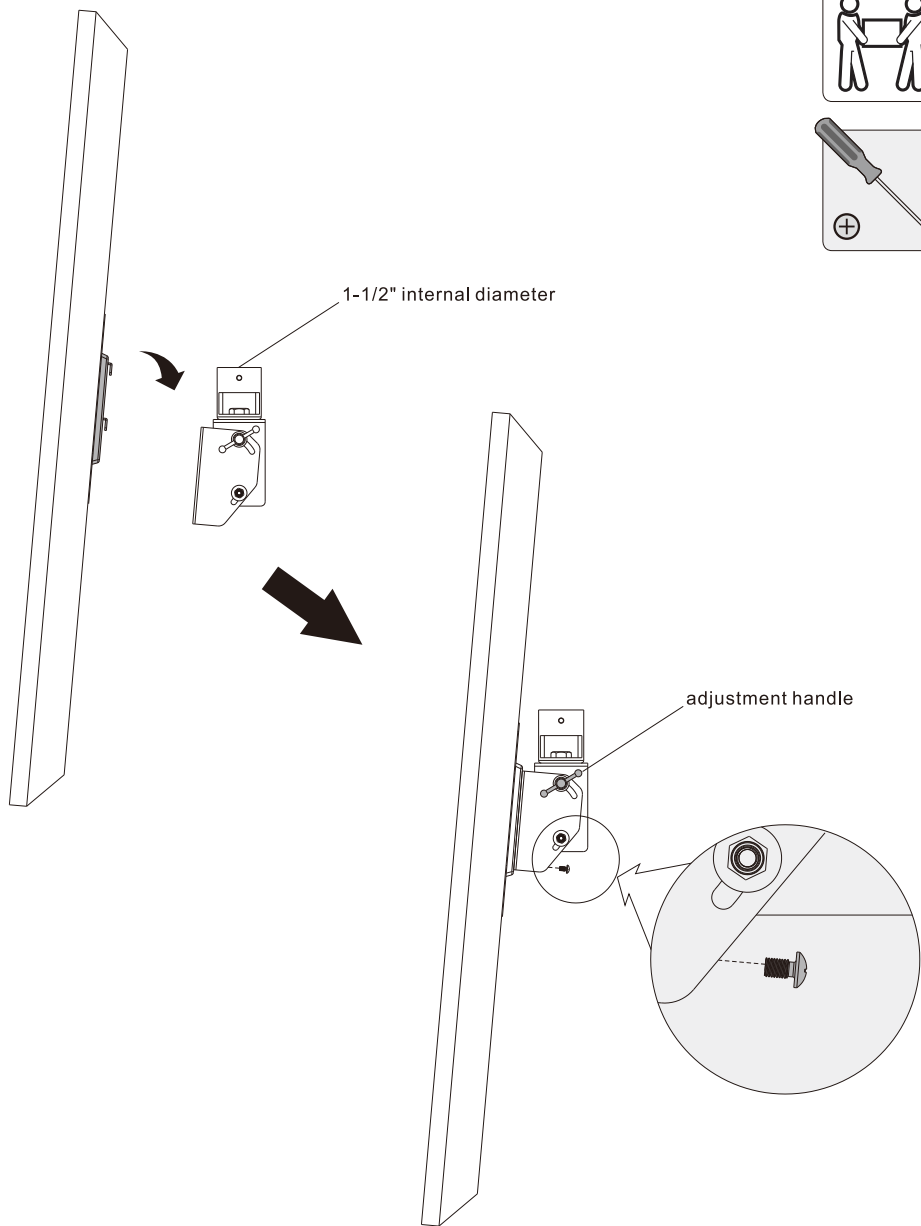
3. Installing the VESA Plate



Note: Choose the appropriate screws, washers and spacers (if necessary) according to the type of screen. Screw the VESA plate onto the display.

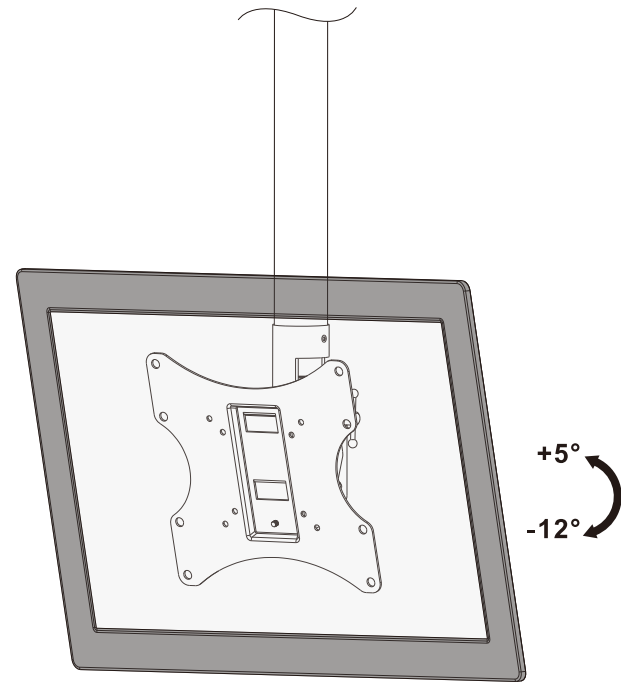
⚠ Tighten all screws but do not over tighten.

4. Hanging the Display onto the Ceiling Mount Head



Hook the VESA plate (attached the display) onto the ceiling mount head and tighten the screw to secure it.

5. Adjustment



Loosen the adjustment handle to adjust the display to obtain the desired angle then tighten it.

Maintenance

- Check that the bracket is secure and safe to use at regular intervals(at least every three months).
- Please contact your dealer if you have any questions.